

**480V PEDESTAL MOUNT CONTROLLER-COMPLETE**  
**2 WIRE GROUNDED NEUTRAL**  
**DOE PART # 6031060**  
**MFG. CENTRAL SYSTEMS & CONTROLS CORP. # 20026031060**  
**MFG. DEWSBERY INC. # 60310602002**

I. Quantity

The base bid shall include the indicated number of 480 volt pedestal mount controller as hereinafter specified, located as shown on the drawings and determined in the field by the engineer.

II. Material

A. Enclosure

The single door pedestal mount enclosure shall be 28" high, 18" wide, and 8 3/4" deep. The cabinet and door shall be made of .125" stainless steel with a 14 Ga. stainless steel continuous welded hinge. The enclosure shall have a natural finish. A closed cell neoprene gasket shall be around the entire door for water integrity. The flange mounting disconnect operator shall be stainless steel for NEMA 4X application, capable of being locked in either position with a dual cover interlock mechanism. The cabinet & door shall have a grounding lug. The enclosure shall meet or exceed the requirements of a NEMA 4X rating.

The bottom shall be reinforced, double thick and shall be pre-drilled to accept a 4" pedestal adapter with an 6 1/2" bolt circle. See drawing 01S0124.

B. Control Panel DOE PART # 60-31042

1. 100 ampere, 3 pole, 600 volt, (Cutler Hammer) single throw disconnect switch with 100 amp time delay, fuses, copper shorting bus with lug for #2 cooper 7 strand (see DWG 01S0067).
2. NEMA rated 100 ampere, 3 pole, 600 volt, contactor with 120 volt operating coil, control transformer, type SBE, 480/120 volts, 60 cycle, .2 KVA and 2 amp control fuse holder shall be on secondary side and 1 amp on primary side.
3. All fuses shall be type H. (Blade Fuses)
4. Internal mounted Hand, Off, Auto selector switch.
5. Insulated solid copper neutral bus capable of terminating the specified number and size wires.
6. Terminal block shall be provided for photoelectric relay connection. Block shall accept #10 copper wire and shall be Bussman 14002-3 or approved equal.
7. Control wiring - The conductors between the fuse disconnect and the conductor shall be 7 strand copper #4, 600 volt type THW. All other conductors shall be 7 strand copper #12, 600V type MTW.

08/04  
MIS-157

1/3

8. Controller shall be wired as shown on drawing 01S0067
9. The mounting panel size shall be 25" X 15".

10. The controller shall be assembled with standard hardware for ease of maintenance.
11. Manufacturer shall be Central Systems & Controls Corp. Mfg # 20026031042, Dewsbury Mfg # 60310422002 or approved equal.
12. The controller shall be fused according to the load amperage on the table below. Fuse reducers shall be Busmann or approved equal

Load Amperage	Fuse Size	Fuse Reducer
1 - 12	15 A	Buss #216
13 - 25	30 A	Buss #216
26 - 37	45 A	Buss #616
38 - 50	60 A	Buss #616
51 - 66	80 A	N/A
67 - 83	100 A	N/A

C. Pedestal DOE PART #6031050 (See drawing No. 01S0124)

1. Breakaway Pedestal Base, 15" high, 13.75" square at bottom, shall be made of cast aluminum, 8.5" square aluminum access door with stainless steel tamper resistant fastener. Top to be threaded, 4" NPT C.N.C., for full engagement of gauged pole thread. Bottom shall have four (4) equally spaced on 8" dia. thru 12 3/4" dia. bolt circle for 3/4" anchorage.
2. Pedestal Pole shall be made of 4 1/2" O.D. x .237" wall x 24" inches long, Sch. 40, Spun Aluminum. Bottom to be threaded for full engagement of gauged base thread.
3. Slip-Fitter - 4" Pedestal Adapter shall be made of aluminum and be supplied with stainless steel hardware. It shall be designed for post top mounting of enclosure, with a 6 1/2" bolt circle. MFG. Central Systems & Controls Corp. Mfg #20026031050, Dewsbury Inc. Mfg # 60310502002

D. Miscellaneous Material

1. Ground Rod - The ground rod shall be 1/2 x 10' copperweld.
2. Grounding Wire - All grounding wire shall be #4 AWG bare solid copper.

3. Photoelectric Relay - The photoelectric relay shall be cadmium sulphide with locking type receptacle, pole mounted 120 volt operation. The turn on and off levels shall be adjustable from 0.3 to 6.0 foot candles. Contacts shall be rated for a minimum load of 1200 watts. The photoelectric relay shall be an approved equal to Fisher Pierce #7760 MSS with adapter #S476-71.

4. Service Entry Cable - The service entry cable shall be #2, 7 strand copper type XHHW.
5. Hardware - All mounting hardware shall be stainless steel, brass or hot dipped galvanized.

III Drawings

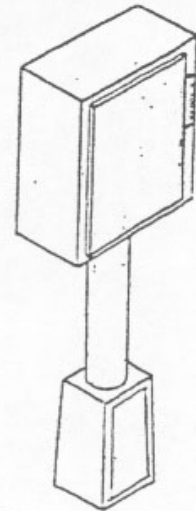
Drawings included in this specification are 01S0067; 01S0124

IV. Quotation

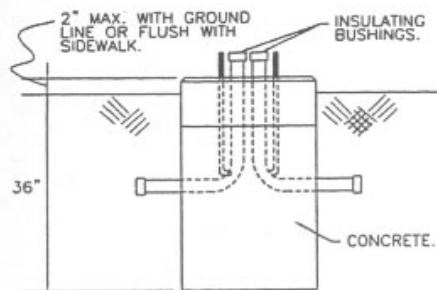
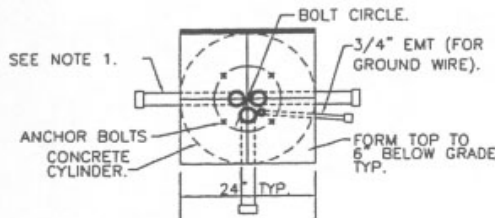
The pedestal mount 480V controller shall be quoted on as a unit price each in the appropriate place of this document.

NOTES:

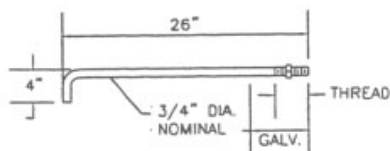
1. THE SIZE, NUMBER AND ORIENTATION OF CONDUIT ELLBOWS SHALL BE 3" FOR DIRECTIONAL DRILLING AND 2" FOR OPEN TRENCH, 3/4" EMT SHALL BE INSTALLED IN EACH FOUNDATION.
2. THE SIZE, NUMBER AND LOCATION OF ANCHOR BOLTS SHALL BE IN ACCORDANCE WITH THE MANUFACTURER'S RECOMMENDATIONS.
3. PEDESTALS SHALL BE PROVIDED WITH A METHOD OF SECURLEY ATTACHING A NO. 4 AWG INSULATED COOPER GROUNDING CABLE TO THE PEDESTAL OR ANCHOR BOLT. NO CABLES OR CONNECTION SHALL BE EXTERNAL TO THE PEDESTAL.
4. THE PEDESTAL BASE SHALL SET ON THE FOUNDATION TOP WITHOUT GROUTING, PREFORMED FILLERS OR LEVELING NUTS UNDER THE BASE. STEEL SHIMS MAY BE USED UNDER THE BASE FOR LEVELING THE INSTALLATION.
5. STAINLESS STEEL HARDWARE SHALL BE SUPPLIED FOR FASTENING OF ENCLOSURE.
6. BOTTOM OF ENCLOSURE SHALL BE REINFORCED, DOUBLE THICK.



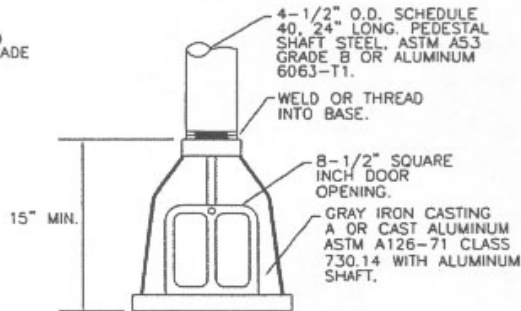
Xref C:\VOGEL\CLVPED.dwg



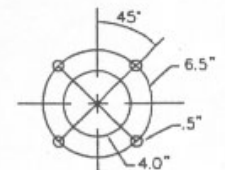
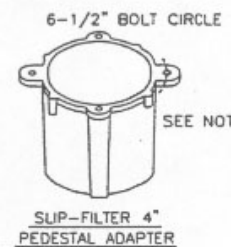
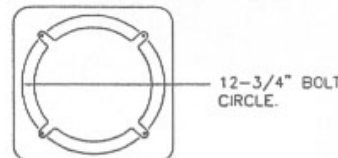
PEDESTAL FOUNDATION



PEDESTAL ANCHOR BOLT  
ASTM A307 STEEL



TRANSFORMER TYPE  
PEDESTAL BASE



ENCLOSURE BOTTOM  
HOLE PATTERN  
SEE NOTE 6

MELP

MUNICIPAL ELECTRIC LIGHT & POWER SYSTEM  
CITY OF COLUMBUS, OHIO  
DEPT. OF UTILITIES - DIVISION OF ELECTRICITY

PEDESTAL MOUNT FOR  
LIGHT CONTROLLER

REVISIONS

2

SCALE NONE

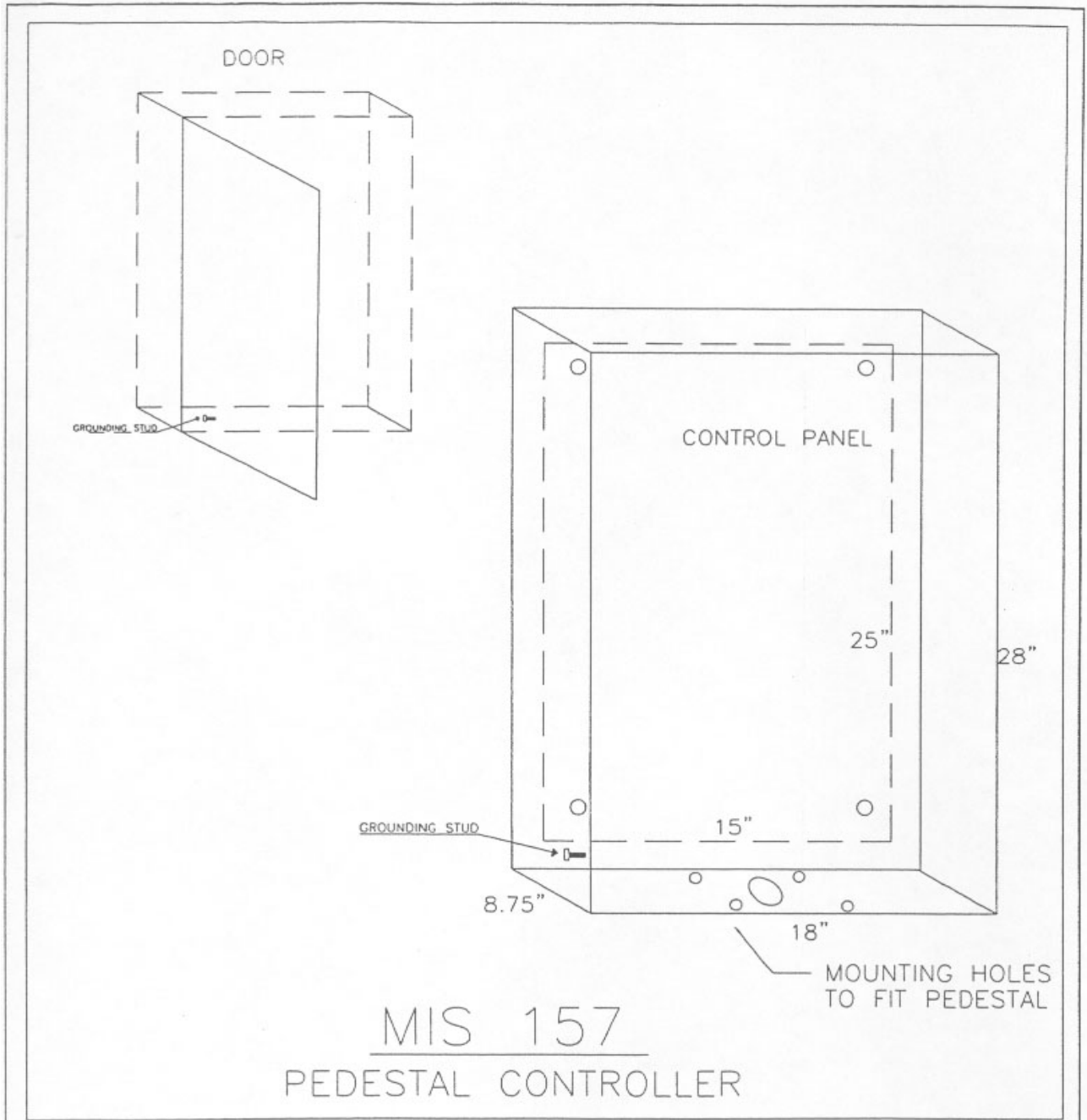
DRAWN PH/GP

DRAWING NO. 01S0124

C. O. NUMBER

APPROVED

SHEET 2 OF 2



STUD ADDED 3/25/04 CLV	<b>MELP</b> MUNICIPAL ELECTRIC LIGHT & POWER SYSTEM CITY OF COLUMBUS, OHIO DEPT. OF UTILITIES - DIVISION OF ELECTRICITY		
	ENCLOSURE FOR PEDESTAL CONTROLLER		
	SCALE NONE	DRAWN CLV	DRAWING NO. 01S0124
C. O. NUMBER	APPROVED	SHEET 1 OF 2	